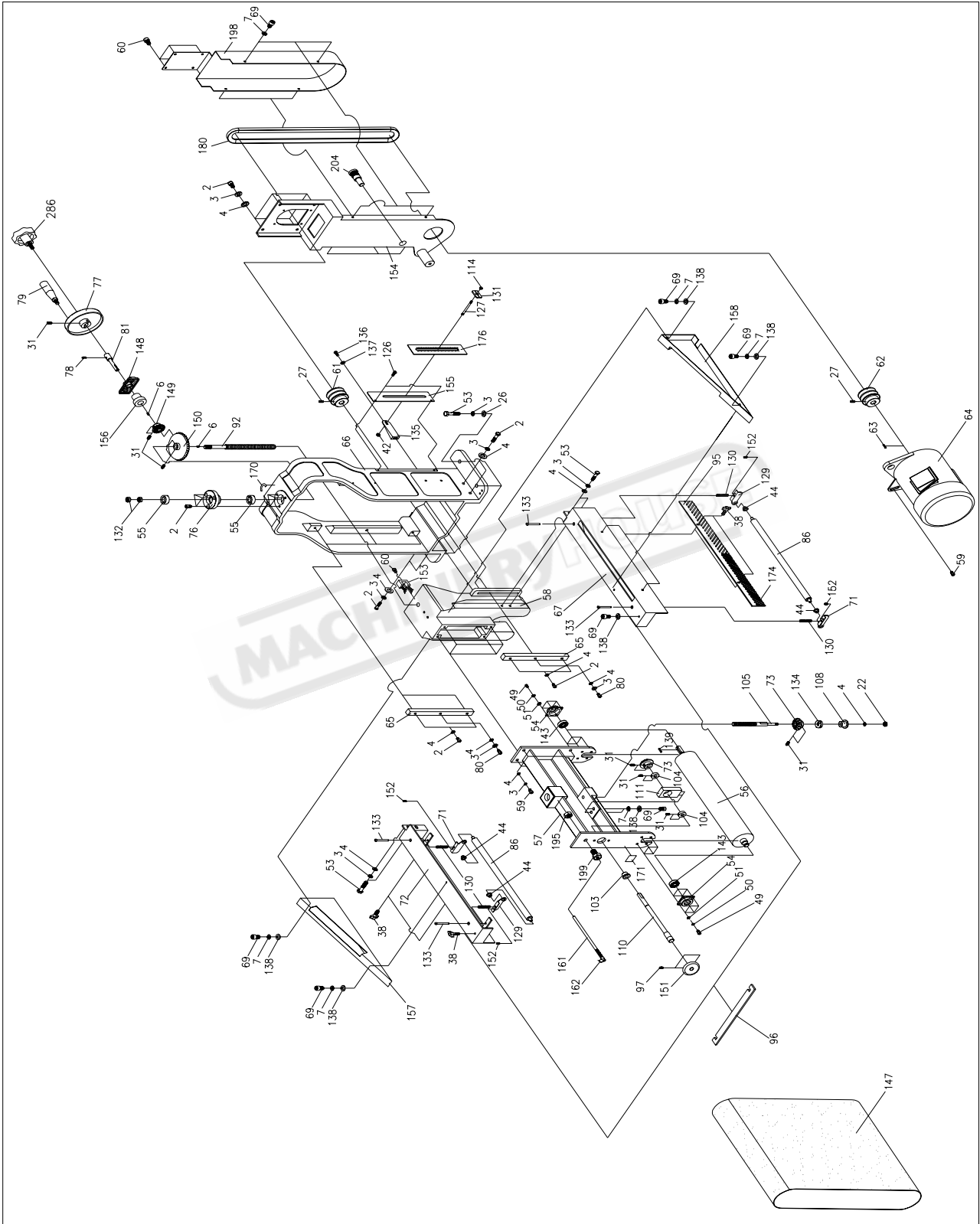


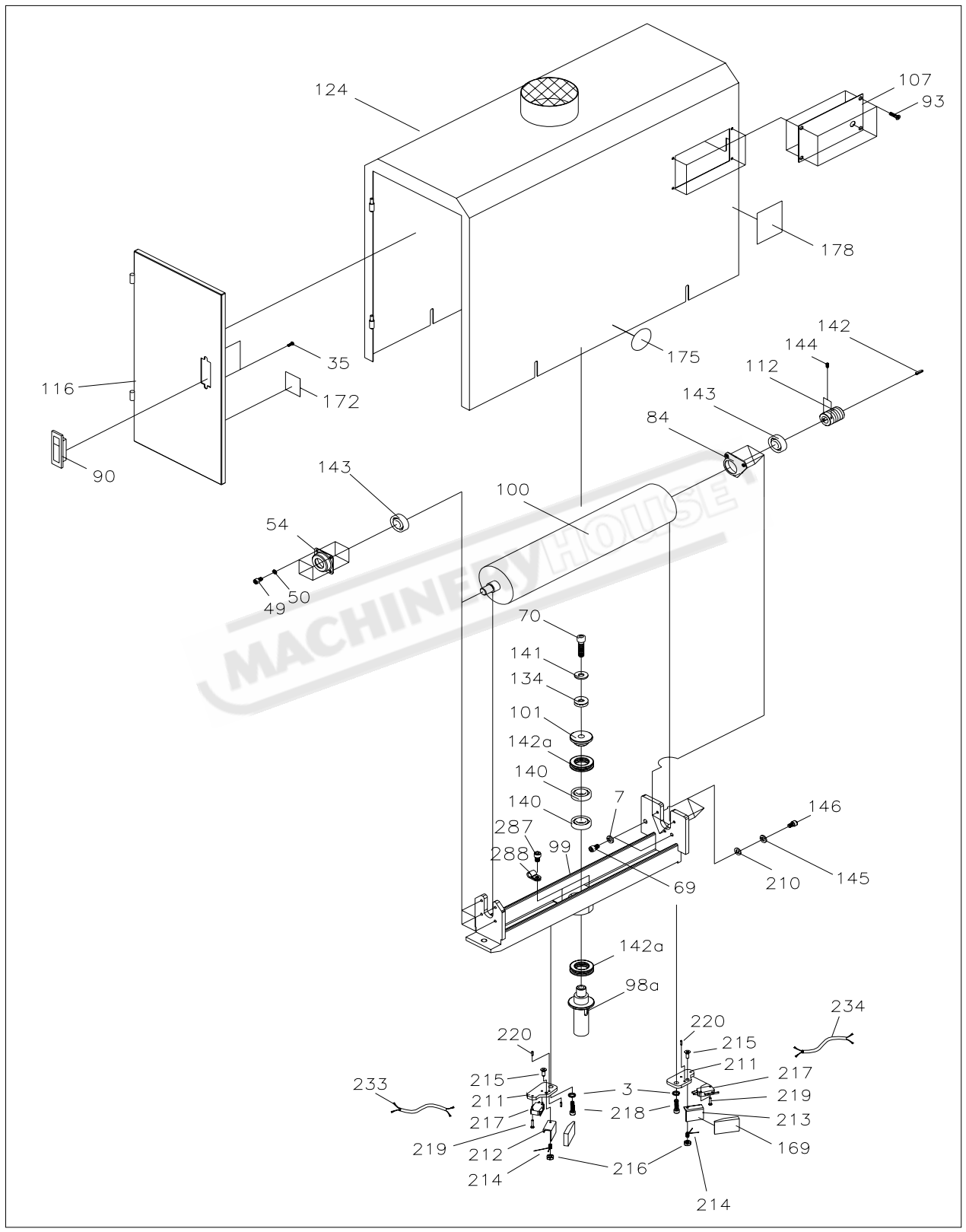
ASSEMBLY DIAGRAM

WBS-1836



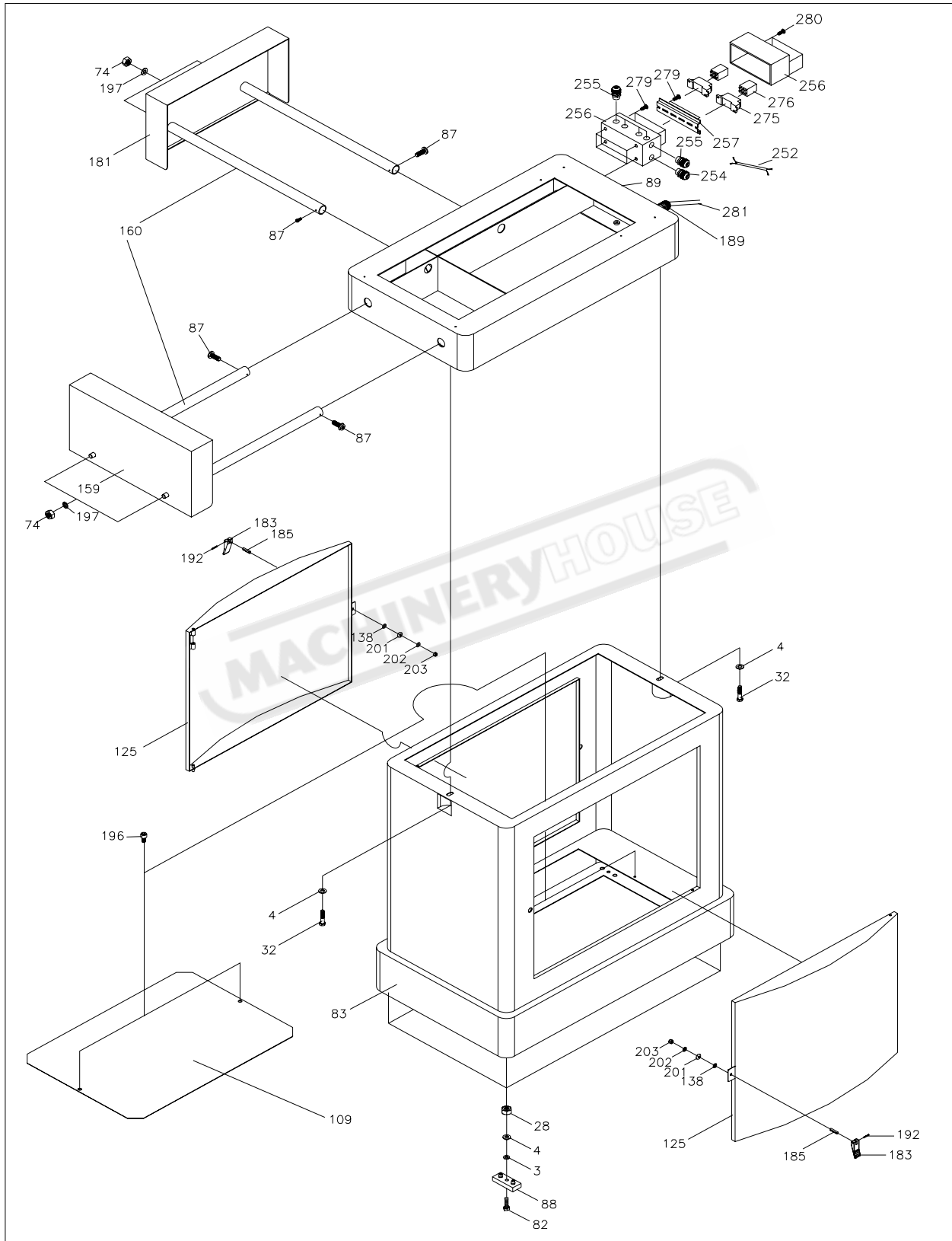
ASSEMBLY DIAGRAM

WSB-1836



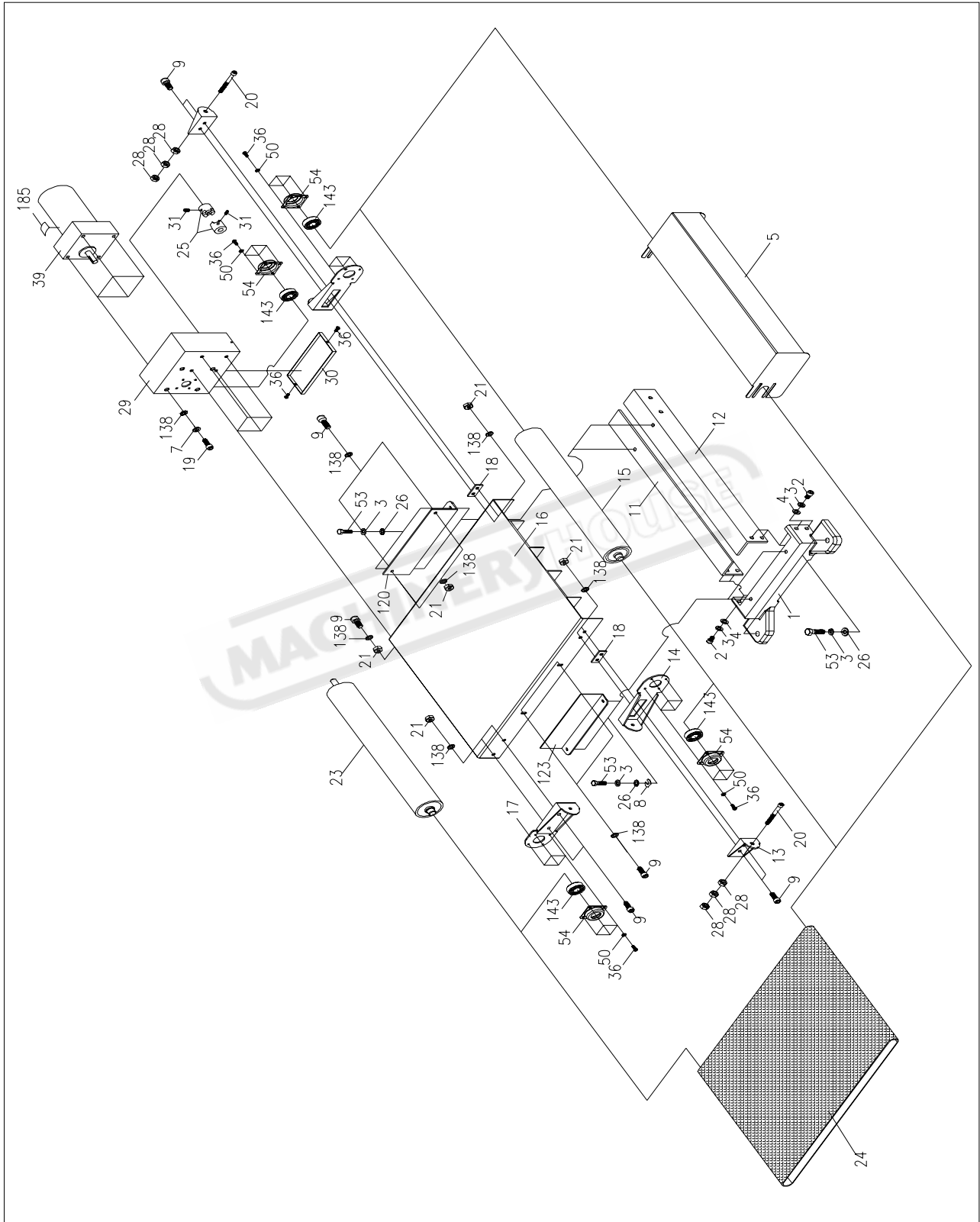
ASSEMBLY DIAGRAM

WBS-1836



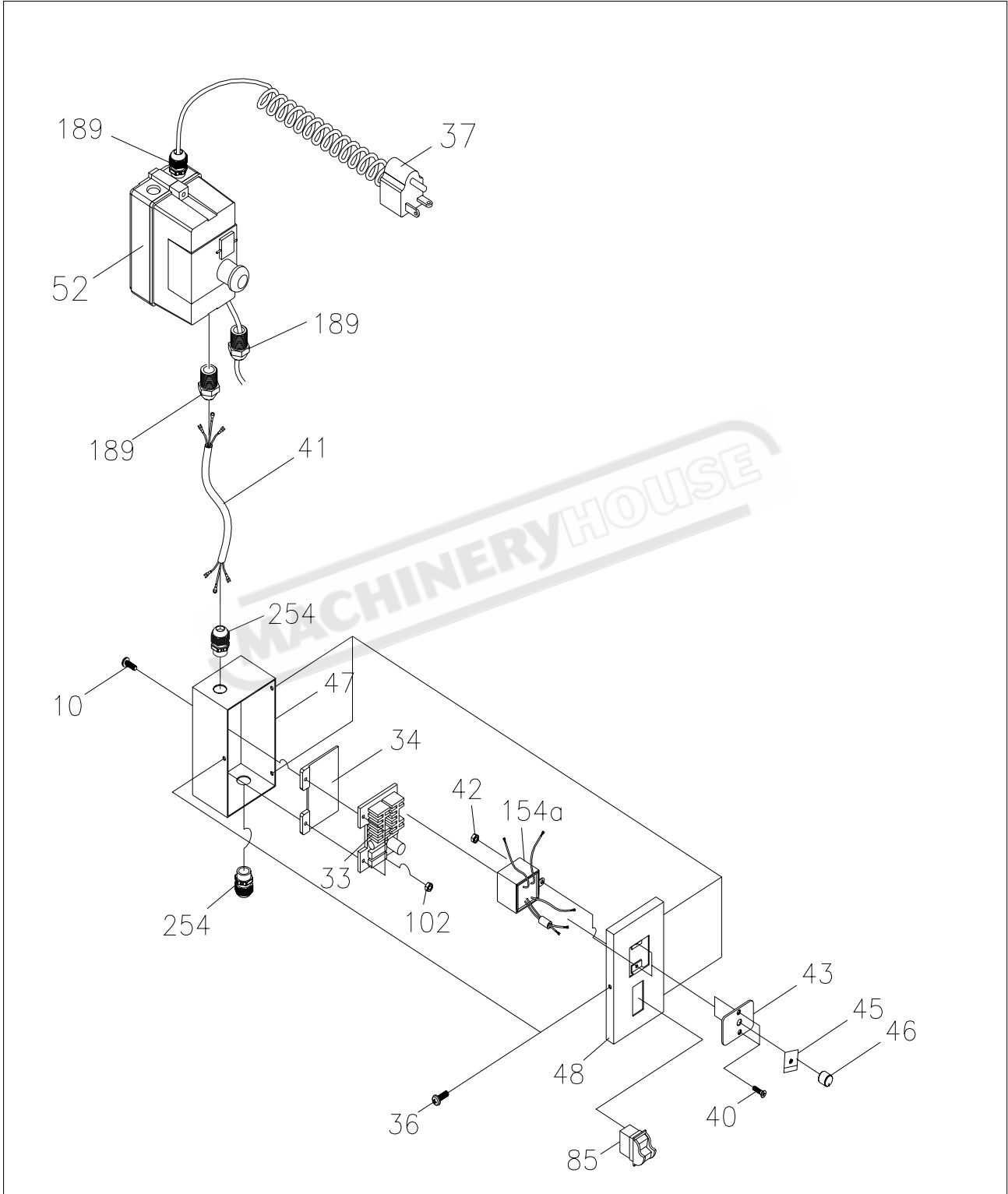
ASSEMBLY DIAGRAM

WBS-1836



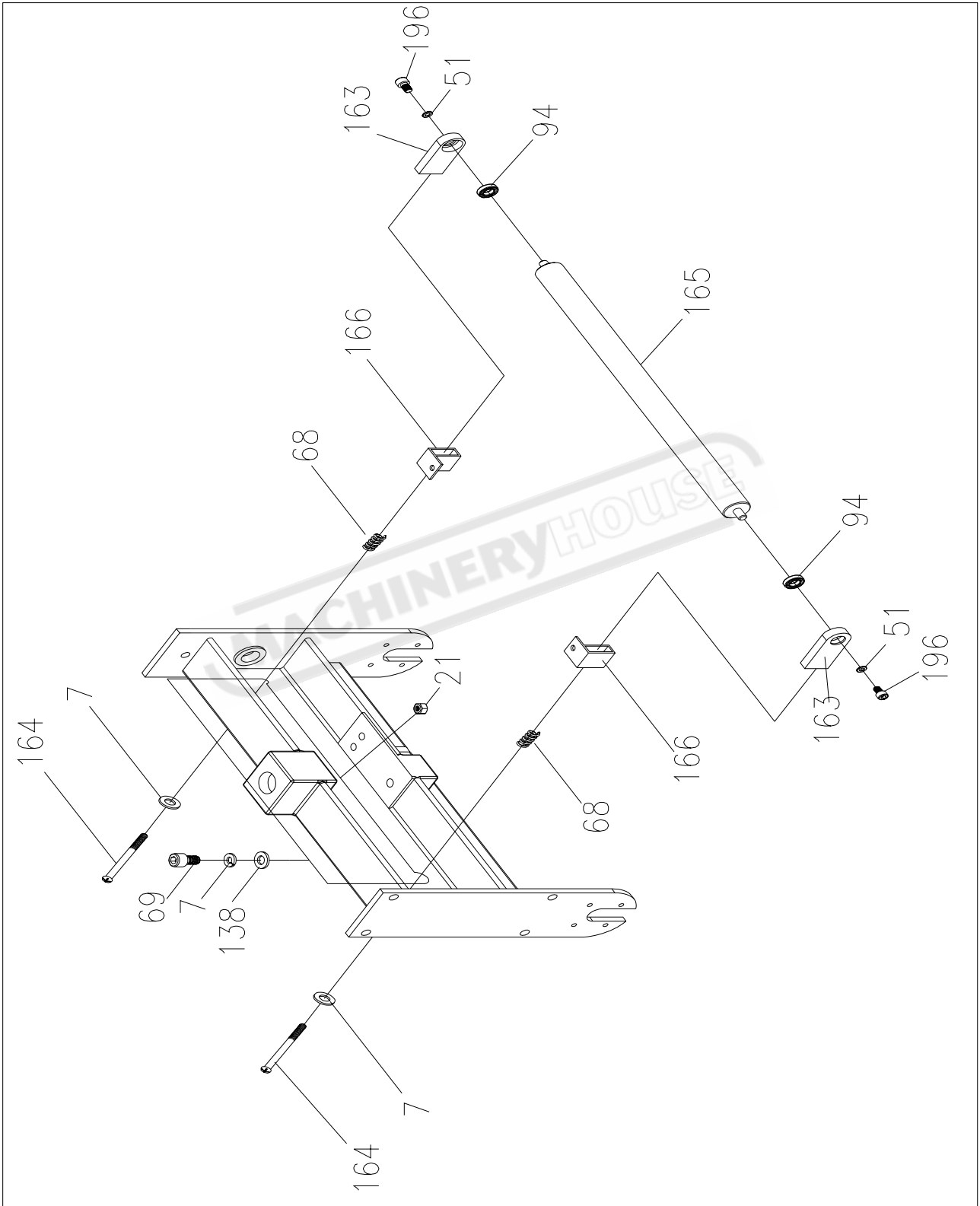
ASSEMBLY DIAGRAM

WBS-1836



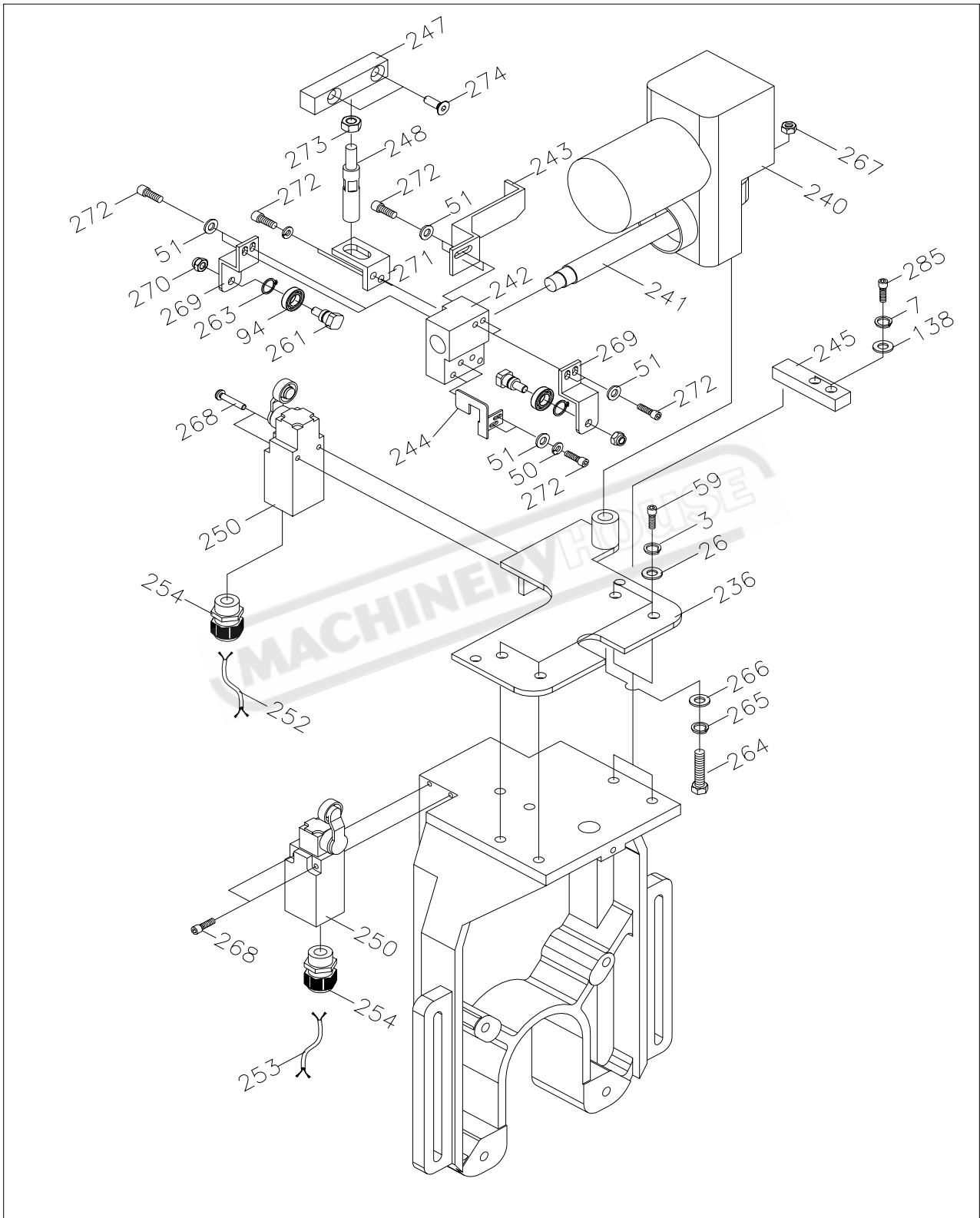
ASSEMBLY DIAGRAM

WBS-1836



ASSEMBLY DIAGRAM

WBS-1836



PART NO.	REFERENCE NO.	DESCRIPTION	QTY
1	20702015a	FRONT STAND	1
2	S0010505	CAP SCREW	19
3	S0230506	SPRING WASHER	42
4	S0210500c	FLAT WASHER	33
5	22200002	COVER	1
6	S0400420	KEY	2
7	S0230400	SPRING WASHER	22
8	21600020	TABLE SPACER	4
9	S0010615M	CAP SCREW	14
10	S0030307	ROUND HEAD CROSS SCREW	4
11	22200008	LEFT HOLDER	1
12	22200009	RIGHT HOLDER	1
13	20900047	MICRO ADJUSTMENT BLOCK	2
14	20900048	MICRO ADJUSTMENT POSITION PLATE	2
15	22200003	TRANSMISSION SHAFT	1
16	22200004	SANDING BELT PLATEN	1
17	20900051	POSITION PLATE	1
18	20900053	PAD	2
19	S0010616M	CAP SCREW	4
20	S0010503a	CAP SCREW	2
21	S0120200	HEX NUT	14
22	S0120201	NYLON NUT	1
23	22200005	CONVEYOR BELT ROLLER	1
24	22200090	CONVEYOR BELT	1
25	20900054	SHAFT JOINT	2
26	S0210516	FLAT WASHER	14
27	S0050406	SET SCREW	2
28	S0110500	HEX NUT	10
29	20900055	ELECTRICAL CONTROL BOX	1
30	20900056	BOTTOM COVER	1
31	S0050404N	SET SCREW	15
32	S0020516	SCREW	2
33	20900073	PC BOARD	1
34	40501018	FIXED BOARD	1
35	S0030413	ROUND HEAD CROSS SCREW	2
36	S0030304	ROUND HEAD CROSS SCREW	22
37	L000000	POWER CORD	1
38	S0080415	WING SCREW	6
39	M2090002	REDUCTION SPEED MOTOR	1
40	S0040510M	FLAT HEAD SCREW	2
41	LC1430101	PC BOARD CORD	1
42	S0110500M	HEX NUT	1
43	20701011	ELECTRICAL INSULATION BOARD	1
44	20701006	BEARING	4
45	J2090004	INDICATOR	1
46	40501019	KNOB	1
47	21600022	SWITCH BOX	1
48	21600023	SWITCH BOX COVER	1
49	S0010303	CAP SCREW	12
50	S0230500M	SPRING WASHER	32
51	S0210303	FLAT WASHER	18
52	W2092301	MAGNETIC SWITCH	1

PART NO.	REFERENCE NO.	DESCRIPTION	QTY
53	S0020501	SCREW	14
54	20900049	BEARING COVER	7
55	C1106201	BEARING 6201	2
56	22200006	LOWER ROLLER	1
57	22200007	ROLLER HOLDING BRACKET	1
58	21600008	MOTOR BASE	1
59	S0010502	CAP SCREW	9
60	S0010305	CAP SCREW	5
61	22200048	DRIVEN ROLLER	1
62	20900033	MOTOR ROLLER	1
63	S0430640	KEY	1
64	M2220003	MOTOR	1
65	21600010	GUIDE ROD	2
66	21600011	ARCH	1
67	22200015	FRONT GUIDE ROD BRACKET	1
68	21600013	SPRING	2
69	S0010409	CAP SCREW	17
70	S0010638	CAP SCREW	1
71	20900086	POSITION PLATE (RIGHT)	2
72	22200012	REAR GUIDE ROD BRACKET	1
73	20900022	BEVEL GEAR	2
74	S0110812	HEX NUT	4
76	21600016	WORM BUSH	1
77	11500048	HANDWHEEL	1
78	S0310525	SPRING PIN	1
79	10105056a	HANDLE	1
80	S0010504	CAP SCREW	2
81	21600019	HANDLE SHAFT	1
82	S0090512	ROUND HEAD SCREW	4
83	22200047	CABINET	1
84	21700017	BEARING BASE	1
85	W0000001	SWITCH	1
86	22200010	FASTEN BAR	2
87	S0070412a	TAPPING SCREW	4
88	10401029	RUBBER FEET	4
89	22200046	BASE	1
90	20101064	FLAT HANDLE	1
92	21600017	SCREW BAR	1
93	S0040300	FLAT HD. SCREW	4
94	C1106800	BEARING 6800	3
95	22200071	BAFFLE PLATE	1
96	21600059	FIXED HOLDING BRACKET PLATE	1
97	S0050408M	SET SCREW	2
98a	21600066	WORM BAR BUSH	1
99	22200030	UPPER ROLLER FRAME	1
100	22200035	UPPER ROLLER	1
101	21600031	BEARING PRESS PLATE	1
102	S0110300	HEX NUT	2
103	20900023	GEAR BUSH	1
104	20900024	FIXED RING	2
105	21600064	ADJUSTING PLATE	1
107	21600106	ADJUSTMENT BLOCK	1

PART NO.	REFERENCE NO.	DESCRIPTION	QTY
108	21600063	WORM SHAFT BUSH	1
109	21600096	BOTTOM PLATE	1
110	22200062	HANDLE ROD	1
111	21600061	HANDLE ADJUSTMENT BLOCK	1
113	S0010440M	CAP SCREW	6
114	S0190500M	HEX NUT	1
116	21600088	COVER BOARD	1
120	21600085	TABLE BRACKET (RIGHT)	1
123	21600086	TABLE BRACKET (LEFT)	1
124	22200045	COVER	1
125C	22200050C	DOOR PLANK	2
126	S0030411	ROUND HEAD SCREW	2
127	21600076	INDICATOR BAR	1
129	20900087	POSITION PLATE (LEFT)	2
130	20900069	ADJUSTING SPRING	4
131	20900045	INDICATOR	1
132	S0111200M	HEX NUT	2
133	S0030580M	BUTTON-HEAD CAP SCREW	4
134	C5151100	THRUST BEARING	2
135	21600075	INDICATOR BASE	1
136	S0030109	BUTTON-HEAD CAP SCREW	1
137	S0210325	FLAT WASHER	1
138	S0210401	FLAT WASHER	33
139	S0400520	KEY	1
140	C1106003	BEARING 6003	2
141	S0210622	FLAT WASHER	1
142a	C5151105	THRUST BEARING	2
143	C1106202	BEARING 6202	8
144	S0050305	SET SCREW	2
145	S0230401	SPRING WASHER	3
146	S0010412M	CAP SCREW	3
147	22200091	SANDING BELT	1
148	10101007	BEARING FRAME	1
149	21600069	BEVEL GEAR (SMALL)	1
150	21600070	BEVEL GEAR (LARGE)	1
151	80100005	SPINNING WHEEL	1
152	S0050306n	SET SCREW	4
153	21600095	BRUSH	1
154	22200049	MOTOR FIXED PLATE	1
155	21600021	INDICATOR PAD	1
156	21600072	ARCH BUSH	1
157	21600079	FIXED FRAME (LEFT)	1
158	21600080	FIXED FRAME (RIGHT)	1
159	22200081	EXTENSION TABLE	1
160	21600082	SUPPORTING ROD	4
161	22200083	LOCKING KNOB	1
162	21600084	FLAT HANDLE	1
163	21600087	ADJUSTMENT BLOCK	2
164	S0030445	BUTTON-HEAD CAP SCREW	2
165	22200089	ADJUSTING ROD	1
166	21600090	ADJUSTMENT FIXED PAD	2
169	21600093	SANDING BELT FIXED PAD	2

PART NO.	REFERENCE NO.	DESCRIPTION	QTY
170	J2160005	LABEL	1
171	J2160001	LABEL	1
174	J2160004	WARNING LABEL	1
175	J2090002	LABEL	2
176	J20706002	LABEL	1
178	J2090007	LABEL	1
179	J2090010	LABEL	1
180	V0017460C	BELT	2
181	22200098	FRONT EXTENSION TABLE	1
182	I2160001	MANUAL	1
183	12100038	KNOB	2
184	J2160009	LABEL	1
185	12100039	SHAFT	2
186	21600103	LOCKING ROD	1
189	S100PG13	STRAIN FIXED HEAD	4
190	S1017W-2	STRAIN RELIEF	1
191	S1006P-4	STRAIN RELIEF	1
192	S0310312	SPRING PIN	2
193	L2090002A	ELECTRIC WIRE	2
195	S0110503	NYLON NUT	1
196	S0010516M	CAP SCREW	4
197	S0210100	FLAT WASHER	4
198	22200099	PULLEY GUARD	1
199	21600100	BOLT BUSH	1
201	12100040	RUBBER	2
202	S0210405	FLAT WASHER	2
203	S0120400M	NYLON NUT	2
204	12700013	BRACKET SHAFT	1
205	20900098	WAVE FILTER	1
206	21600110	OBLONG IRON	1
208	S0010301	CAP SCREW	2
210	S0210405a	FLAT WASHER	3
211	21600115	LIMITED SWITCH FIXED PAD	2
212	21600116	FIXED PLATE (LEFT)	1
213	21600117	FIXED PLATE (RIGHT)	1
214	21600118	SPRING	2
215	S0040330M	FLAT HEAD SCREW	2
216	S0120300M	HEX NUT	2
217	WLS051A3	LIMITED SWITCH	2
218	S0010501	CAP SCREW	2
219	S0030215	BUTTON-HEAD CAP SCREW	4
220	S0310312	SPRING PIN	2
233	LV1030501	LIMITED SWITCH CORD A	1
234	LV1030301	LIMITED SWITCH CORD B	1
236	21600125	MOTOR FIXED PLATE	1
237	W1230002	LIMITED SWITCH	3
238	21600124	LIMITED SWITCH FIXED PAD	1
239	22200100	STAND	2
240	MH025001	REDUCTION SPEED MOTOR	1
241	21600135	SHAFT	1
242	21600126	SWING FIXED PAD	1
243	21600127	LIMITED SWITCH POSITION PLATE (RIGHT)	1

PART NO.	REFERENCE NO.	DESCRIPTION	QTY
244	21600128	LIMITED SWITCH POSITION PLATE (LEFT)	1
245	21800112	BEARING FIXED PAD	1
246	21600129	LIMITED SWITCH FIXED PLATE (RIGHT)	1
247	21600130	OBLONG IRON	1
248	21600131	CONNECTING SHAFT	1
249	21600132	MOTOR COVER	1
250	WL001121	LIMITED SWITCH	1
251	WL001001	LIMITED SWITCH	1
252	LV1020301	LIMITED SWITCH CORD C	1
253	LV1020201	LIMITED SWITCH CORD D	1
254	S100PG11	STRAIN FIXED HEAD	6
255	S100PG09	STRAIN FIXED HEAD	5
256	WB173108	CONTROL BOX	1
257	22300047	TERMINAL TRACK	1
258	LV1023301	CORD	1
259	RL2204PA-B	RELAY BASE	1
260	RL2204PA-A	RELAY	1
261	LV1020201	FIXED SCREW	2
262	C1106801	BEARING 6801	1
263	S0520010	C RING	2
264	S0021070M	CAP SCREW	1
265	S0231000M	SPRING WASHER	1
266	S0211025	FLAT WASHER	1
267	S0111000M	HEX NUT	1
268	S0010425M	CAP SCREW	4
269	21800111	BEARING FIXED PLATE	2
270	S0120600M	HEX NUT	2
271	21600134	CONNECTING PAD	2
272	S0010510M	CAP SCREW	10
273	S0110800M	HEX NUT	1
274	S0040082M	CAP SCREW	2
275	S0530021	C RING	1
276	S0010816M	CAP SCREW	2
277	S0230800M	SPRING WASHER	2
279	S0070412	TAPPING SCREW	6
280	S0030315M	BUTTON-HEAD CAP SCREW	4
281	L0000018E	MOTOR CORD	1
282	L0000018E	SWITCH TERMINAL CONNECTING WIRE	1
283	LV1021501	LIMITED SWITCH CORD	1
284	LV1023502	LIMITED SWITCH CORD	1